

# NH fuse-links aM 690VAC

top indicator/live tags size 4, 4a

## LOW VOLTAGE IEC FUSES

### IEC NH FUSE-LINKS



The NH system is classified among plug-in fuse systems and is composed of:

- fuse-base (possibly including terminal covers and phase barriers)
- fuse-link with blade contact
- fuse-link replacement device (LV HRC fuse puller)

Since the design of this system cannot guarantee non-interchangeability of rated current it must be handled by a qualified professional.

Type “aM” NH fuse-links are partial-range breaking capacity fuse-links, used to protect motor circuits as they are strongly current-limiting and have low power losses. They interrupt currents from 6.3 times  $I_n$  up to their maximum breaking capacity and are therefore suited for short-circuit protection only. They must be associated with other switchgear for protection against overloads. These fuse-links can have a rated current equal to the motor’s nominal current.

## TECHNICAL DATA OVERVIEW

Voltage AC	690 VAC
Ampere Range (A)	400 ... 1000 A
Size per Standard	4, 4a
Speed/Characteristic	aM
I.R. AC	120 kA
Body Material	ceramic
Contact Materials	copper, silver-plated

## FEATURES & BENEFITS

- Dimensions according to DIN 43 620 parts 1 to 4
- Non-isolated gripping lugs
- Double indicator
- Lead free contact blades
- 0% cadmium

## APPLICATIONS

- aM: Partial purpose, motor circuit protection

## STANDARDS

- VDE 0636 Part 201
- IEC 60269-1 and -2



# NH fuse-links aM 690VAC

top indicator/live tags size 4, 4a

## PRODUCT RANGE



NH4AM69V400-8

### Size 4

Catalog number	Reference number	Rated voltage AC (IEC)	Rated current I <sub>n</sub>	Power dissipation at I <sub>n</sub>	Weight	Package
NH4AM69V400-8	Q227990	690 V	400 A	26 W	2.2 kg	1
NH4AM69V500-8	R227991	690 V	500 A	38 W	2 kg	1
NH4AM69V630-8	S227992	690 V	630 A	50 W	2.2 kg	1
NH4AM69V800-8	T227993	690 V	800 A	65 W	1.75 kg	1
NH4AM69V1000-8	V227994	690 V	1000 A	80 W	2.2 kg	1



NH4AAM69V500-8

### Size 4a

Catalog number	Reference number	Rated voltage AC (IEC)	Rated current I <sub>n</sub>	Power dissipation at I <sub>n</sub>	Weight	Package
NH4AAM69V500-8	X227996	690 V	500 A	38 W	2.2 kg	1
NH4AAM69V630-8	Y227997	690 V	630 A	50 W	2.2 kg	1
NH4AAM69V800-8	A227999	690 V	800 A	65 W	2.2 kg	1
NH4AAM69V1000-8	B228000	690 V	1000 A	80 W	2.2 kg	1

## TECHNICAL DATA

	Size 4	Size 4a
Rated current	400 ... 1000 A	500 ... 1000 A
Rated breaking capacity AC	120 kA	120 kA
Rated voltage AC	690 V	690 V
Indication System	top indicator	top indicator
Width	100 mm	100 mm

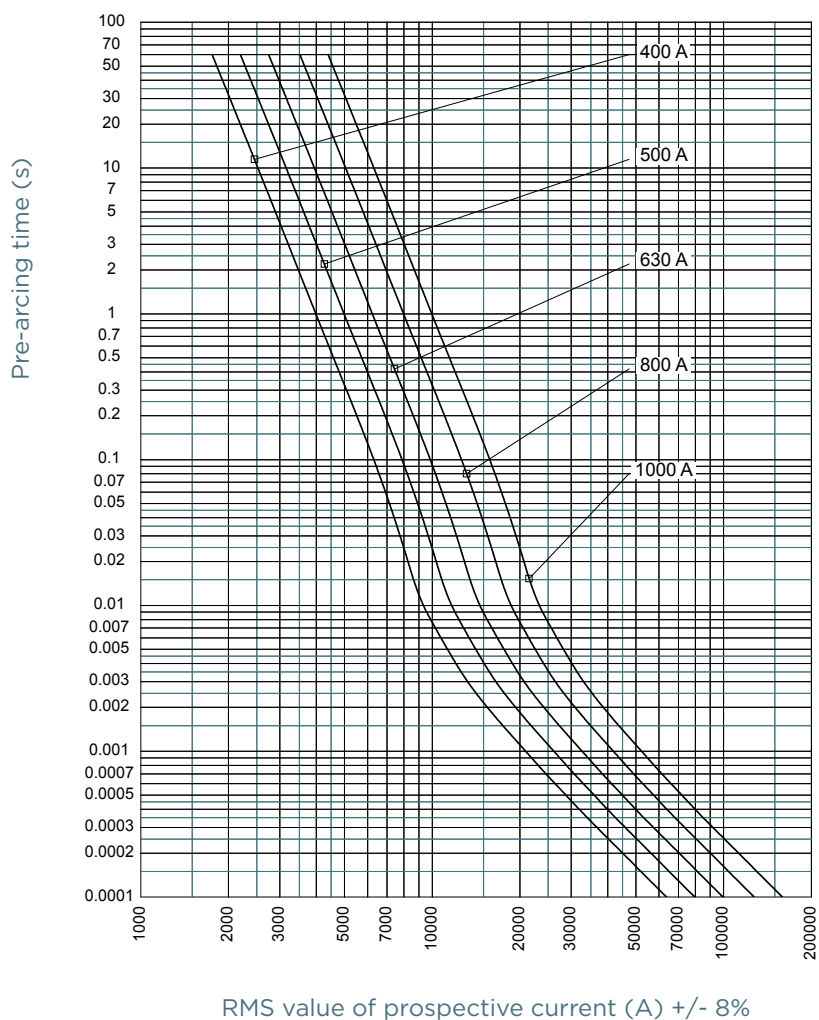
# NH fuse-links aM 690VAC

top indicator/live tags size 4, 4a

## TIME CURRENT CHARACTERISTIC CURVES

Size 4, 400-1000A

Size 4a, 500-1000A



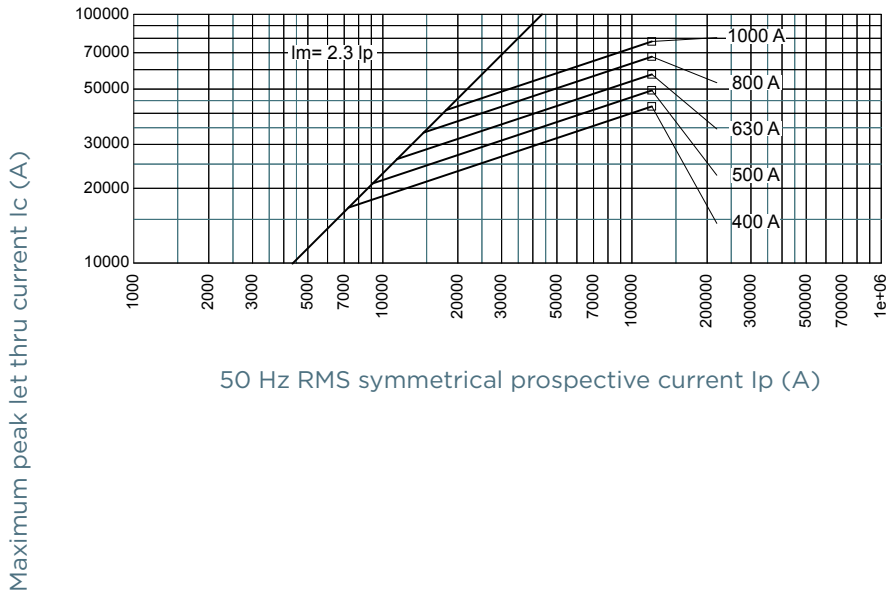
# NH fuse-links aM 690VAC

top indicator/live tags size 4, 4a

## CUT-OFF CURRENT CHARACTERISTIC

Size 4, 400-1000A

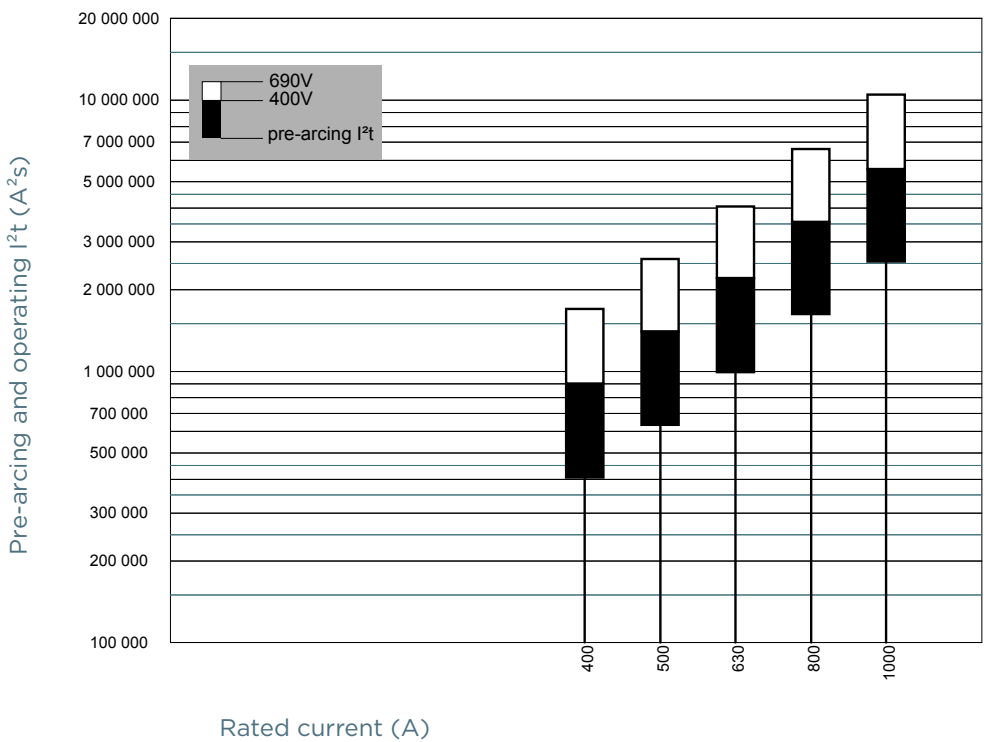
Size 4a, 500-1000A



## PRE-ARCING AND OPERATING $I^2t$ CHARACTERISTICS

Size 4, 400 - 1000A

Size 4a, 500 - 1000A



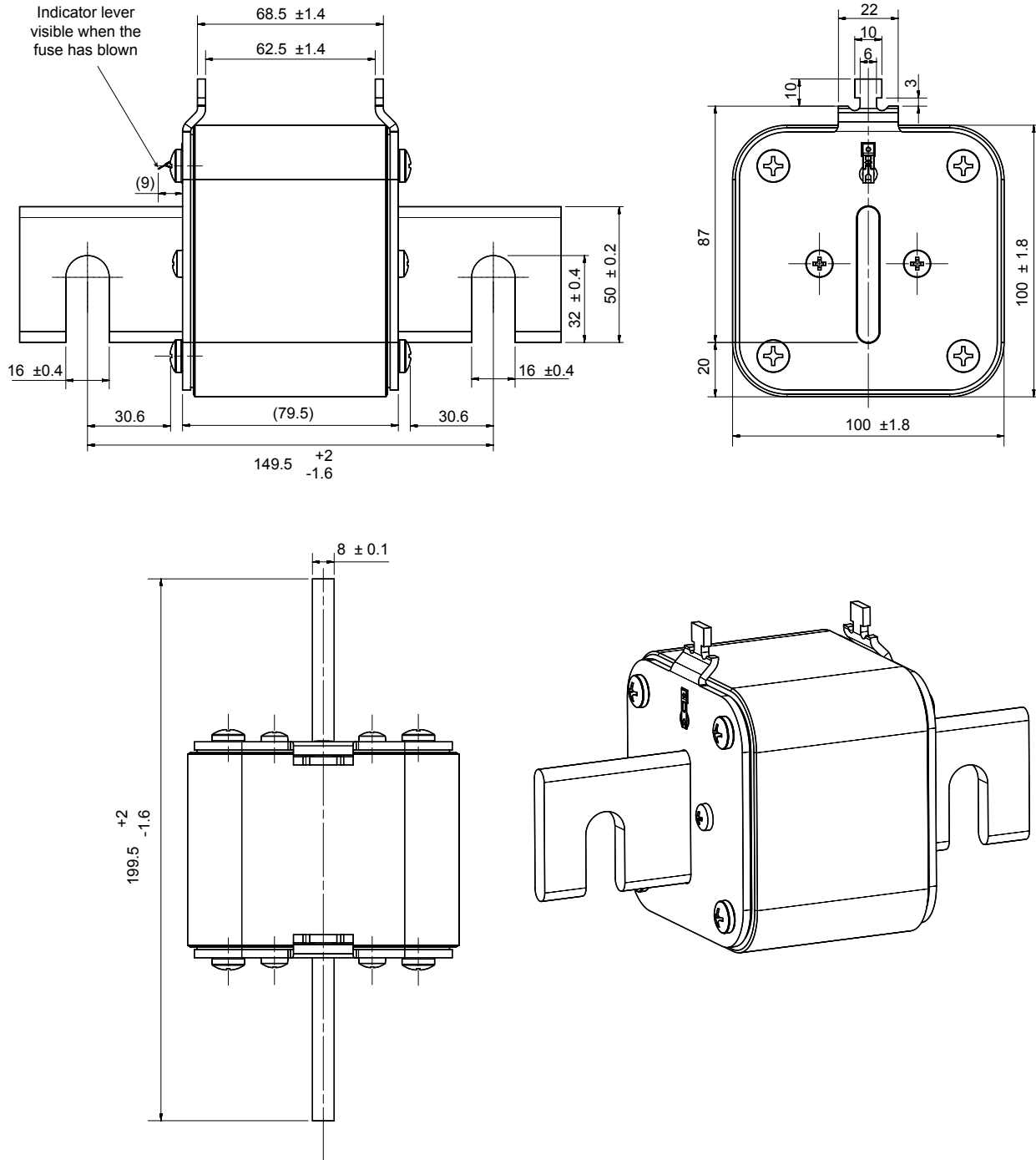
MERSEN reserves the right to change, update or correct, without notice, any information contained in this datasheet.

# NH fuse-links aM 690VAC

top indicator/live tags size 4, 4a

## DIMENSIONS

### Size 4 with top indicator



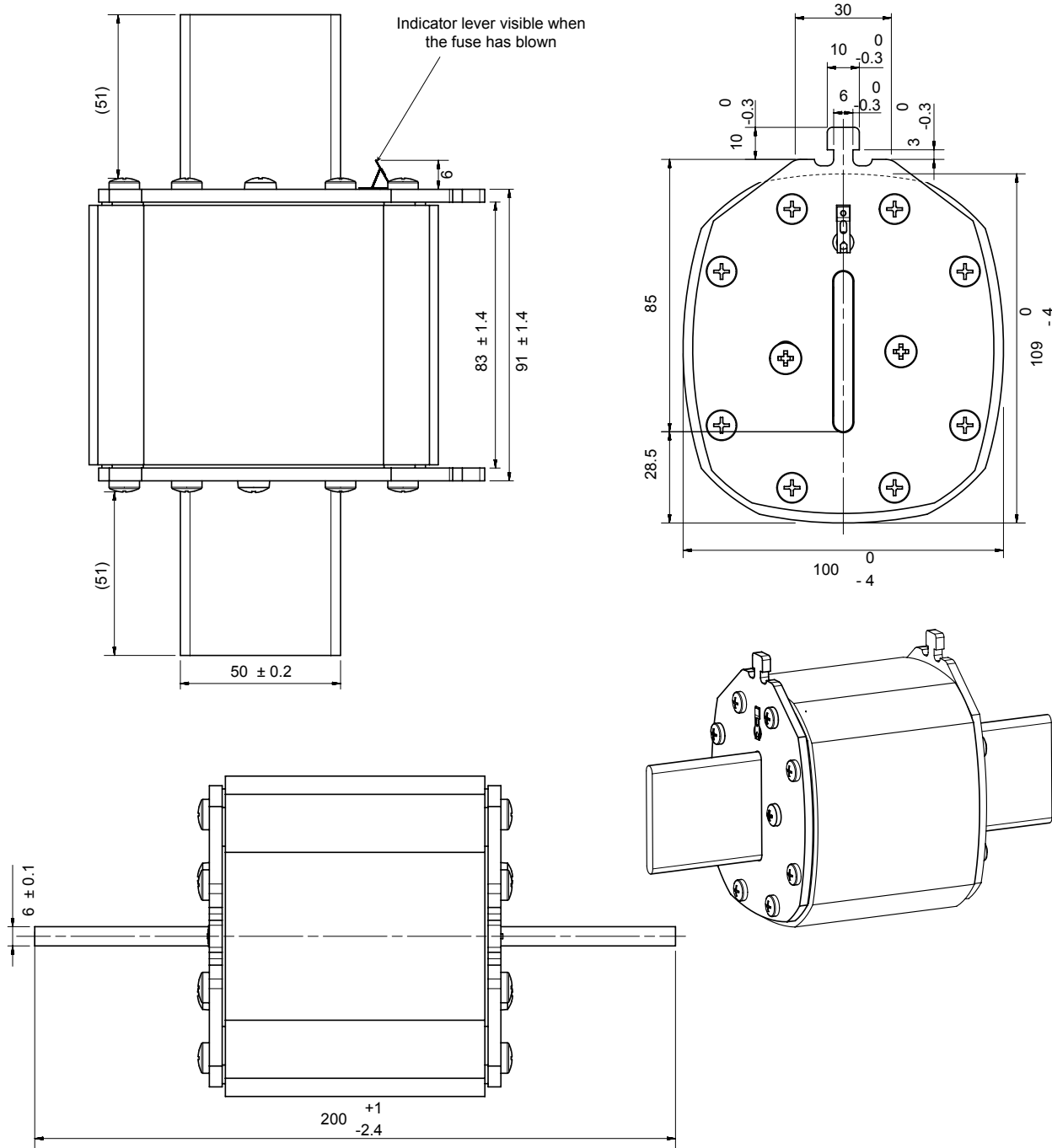
Dimensions in mm

# NH fuse-links aM 690VAC

top indicator/live tags size 4, 4a

## DIMENSIONS

### Size 4a with top indicator



Dimensions in mm

MERSEN reserves the right to change, update or correct, without notice, any information contained in this datasheet.